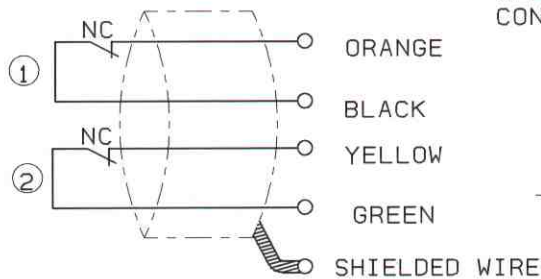
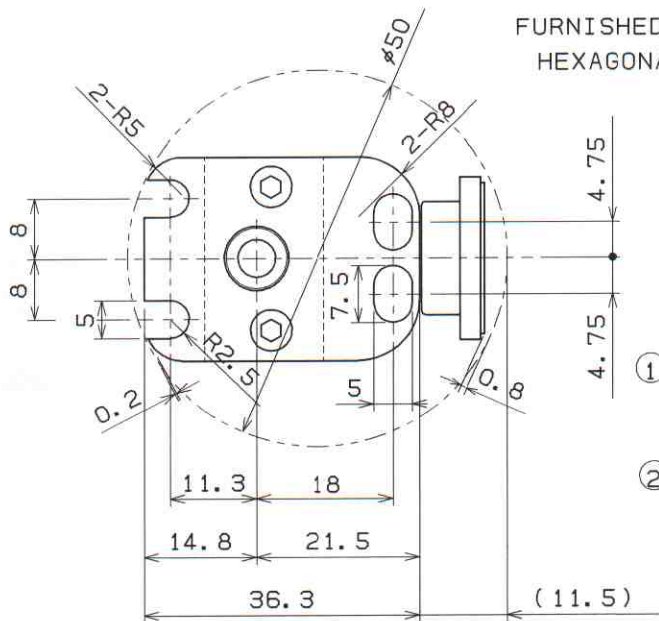


FURNISHED ACCESSORY
HEXAGONAL BOLT M4x12(SUS) 4EA



- ① SKIP SIGNAL
OPERATING MODE : NC(NORMALLY CLOSE)
REPEATABILITY OF SKIP SIGNAL : 0.001mm
RECOMMENDED OPERATING SPEED : 50~200mm/min
RATING : DC24V 20mA(max)
(RECOMMENDED 10mA)NON-INDUCTIVE LOAD
- ② OVER TRAVEL SIGNAL
MICRO SWITCH
OPERATING MODE : NC(NORMALLY CLOSE)
CONTACT RATING : DC30V 100mA(NON-INDUCTIVE LOAD)

DEGREES OF PROTECTION IEC IP67

ASBESTOS IS NOT USED FOR THIS PRODUCT

CHK	DRA	A4	NAME	TOOL SETTER
<i>Kanno</i>	13.03.25 SHIBATA	1:1	DRAWING NUMBER	T25H-04-03
				METROL