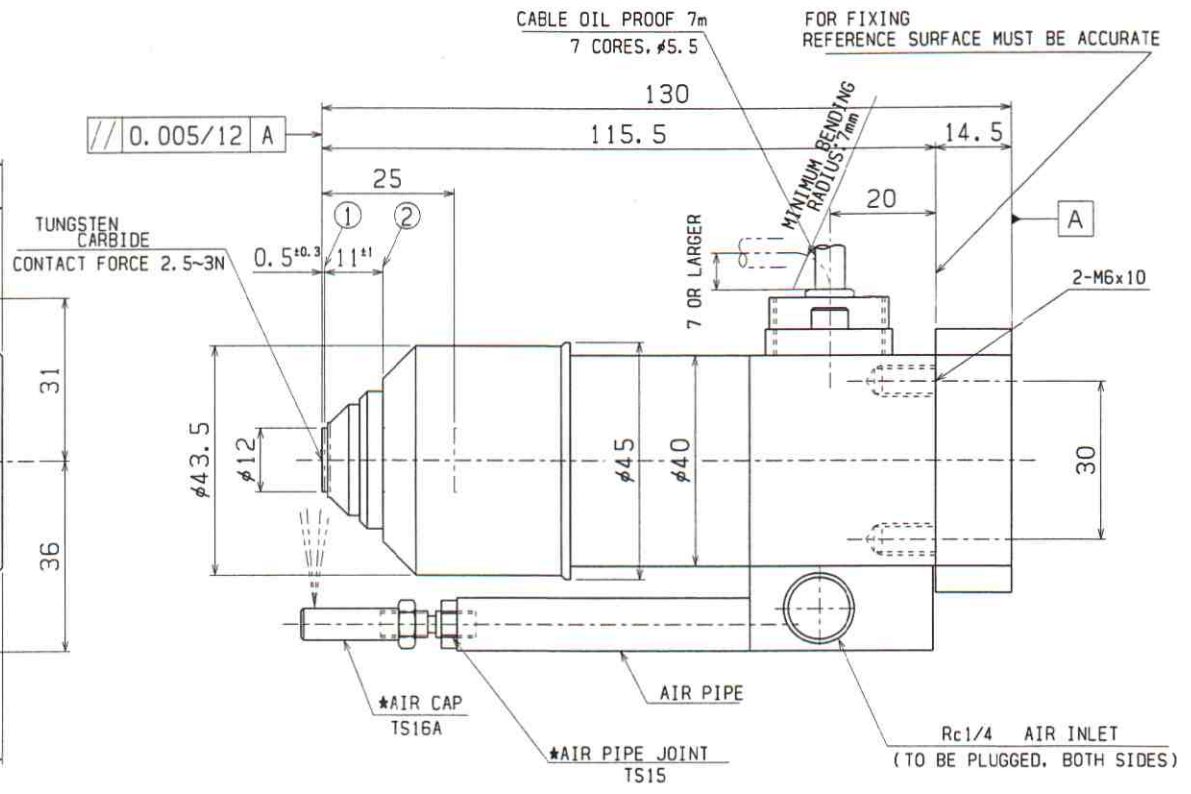
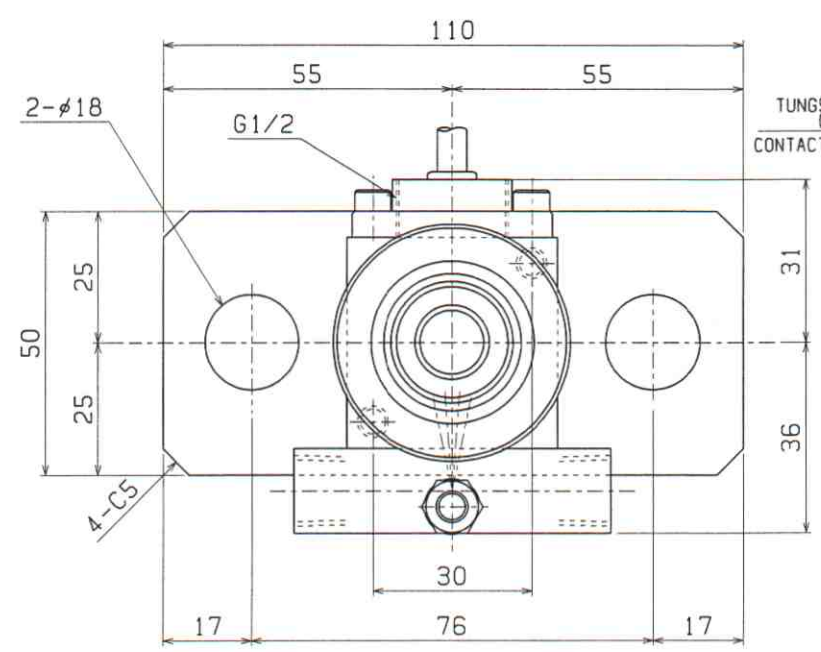
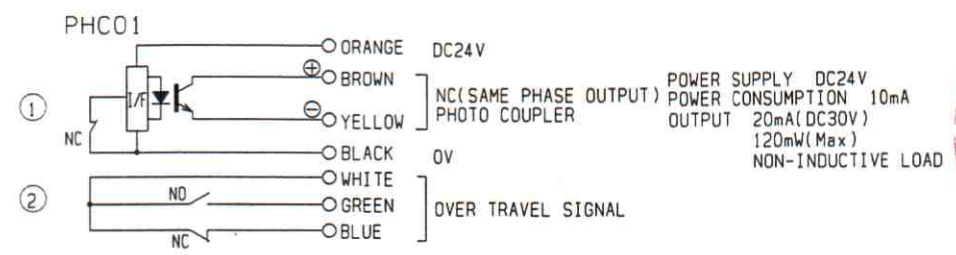


- ① SKIP SIGNAL
OPERATION MODE : NORMALLY CLOSED
REPEATABILITY OF SKIP SIGNAL : 0.001mm
RECOMMENDED OPERATING SPEED : 50-200mm/min
- ② OVER TRAVEL SIGNAL
MICRO SWITCH
CONTACT RATING:DC24V 100mA
(NON-INDUCTIVE LOAD)
OPERATION MODE : NORMALLY OPEN
OPERATION MODE : NORMALLY CLOSED

DEGREES OF PROTECTION : IEC IP67



A3			NAME	TOOL SETTER
			DRAWING NUMBER	T24D-23
APR	CHK	DRA		
		REV05.12.27		
		MIURA	1/1	METROL LTD. METROL

*ACCESSORY AIR PIPE JOINT TS15 1PC
AIR CAP TS16A 1PC