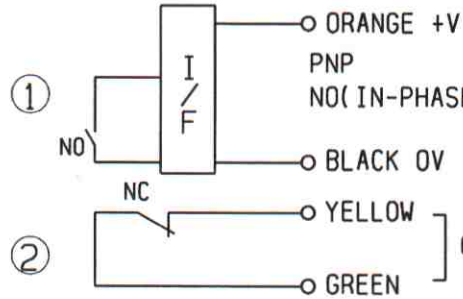
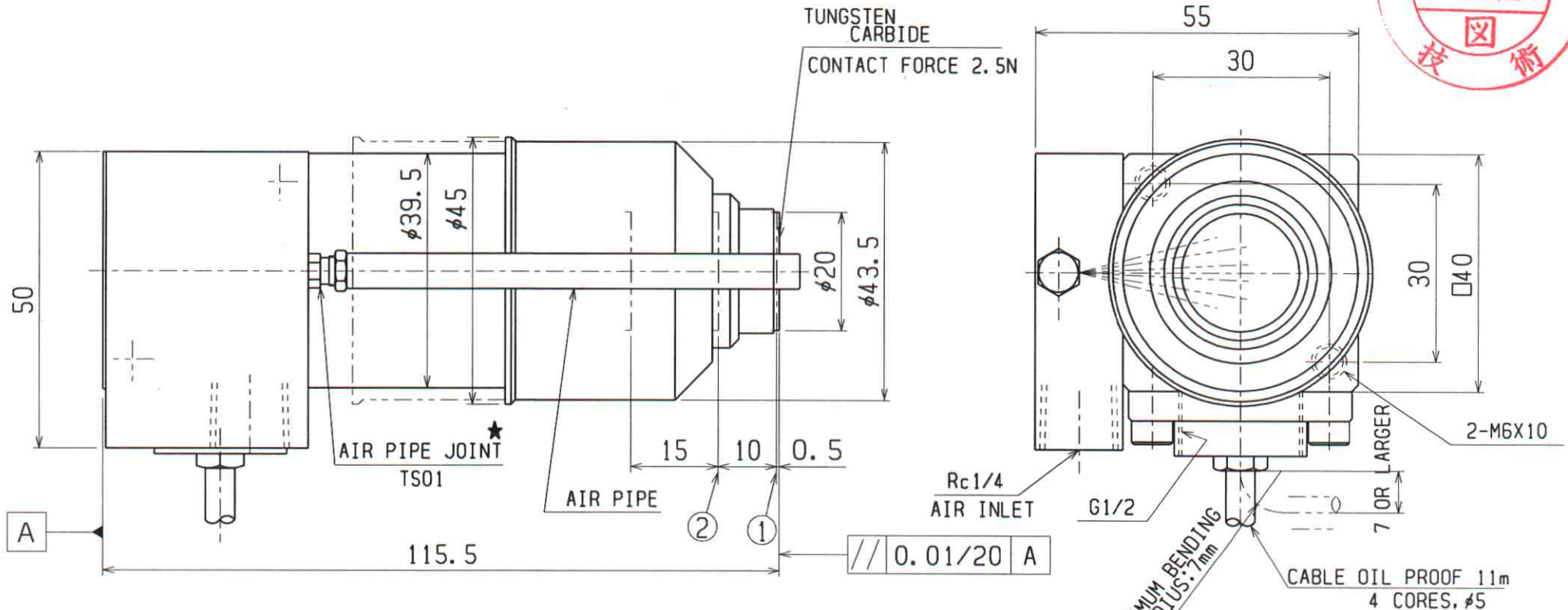


- ① SKIP SIGNAL
 OPERATION MODE : NORMALLY OPEN
 REPEATABILITY OF SKIP SIGNAL : 0.001mm
 RECOMMENDED OPERATING SPEED : 50~200mm/min
- ② OVER TRAVEL SIGNAL
 MICRO SWITCH
 CONTACT RATING : DC24V 100mA(NON-INDUCTIVE LOAD)
 OPERATION MODE : NORMALLY CLOSED
 DEGREES OF PROTECTION : IEC IP67

PHP01-KB35A



POWER SUPPLY:DC24V±10% 100mA
 LEAKAGE CURRENT:LESS THAN 0.15mA
 RESIDUAL VOLTAGE:LESS THAN 3V
 PNP
 NO(IN-PHASE OUTPUT)
 POWER CONSUMPTION:LESS THAN 3mW



★ACCESSORY AIR PIPE JOINT TS01 2 PCS

A4

| | | |
|-----|-----|---------------|
| APR | CHK | DRA |
| | | TOYOIZUMI |
| | | REV2006.08.23 |

| | |
|----------------|-------------|
| NAME | TOOL SETTER |
| DRAWING NUMBER | T24D-16-01 |
| METROL LTD. | METROL |

DRAW 01.11.30

REVISION 2006.08.23