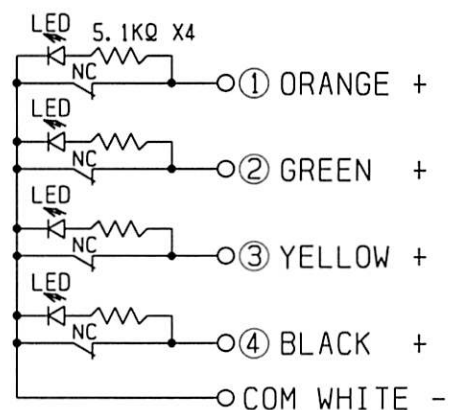


SENSOR HEAD  
H4A-30H

SOCKET CABLE 5m  
CN3-5-5



PINS' LAYOUT  
OF PROBE SIDE

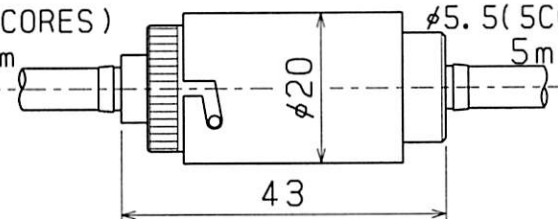
PINS' LAYOUT  
OF MACHINE SIDE



RED PAINTED  
(SEEN FROM JOINT SURFACE)  
PLEASE JOINT RED PARTS OF EACH CONNECTOR

CABLE OIL PROOF  
∅5.5 (5 SCORES)  
0.3m

CABLE OIL PROOF  
∅5.5 (5 SCORES)  
5m



RELAIED CONNECTOR CN-3

SET NUMBER: H4A-30S

COMPOSITION

SENSOR HEAD	H4A-30H
SOCKET CABLE 5m	CN3-5-5
POLARITY CONVERTOR UNIT	BA-4A

	NAME	TOOL SETTING PROBE
A 4	DRAWING NUMBER	H4A-30S
1 : 1		