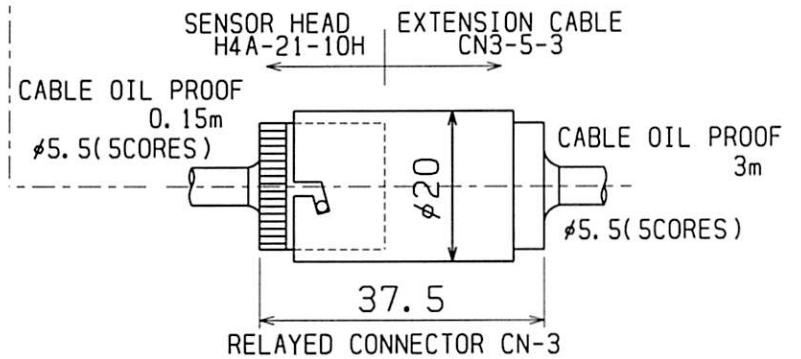


PINS' LAYOUT OF PROBE SIDE

PINS' LAYOUT OF MACHINE SIDE



RED PAINTED
(SEEN FROM JOINT SURFACE)
PLEASE JOINT RED PARTS OF EACH CONNECTOR



SET NUMBER	H4A-21-10S	
COMPOSITION	SENSOR HEAD	H4A-21-10H
	EXTENSION CABLE	CN3-5-3

	NAME	TOOL SETTING PROBE
A4	DRAWING NUMBER	H4A-21-10S
1 : 1		