

PINS' LAYOUT
OF PROBE SIDE

PINS' LAYOUT
OF MACHINE SIDE

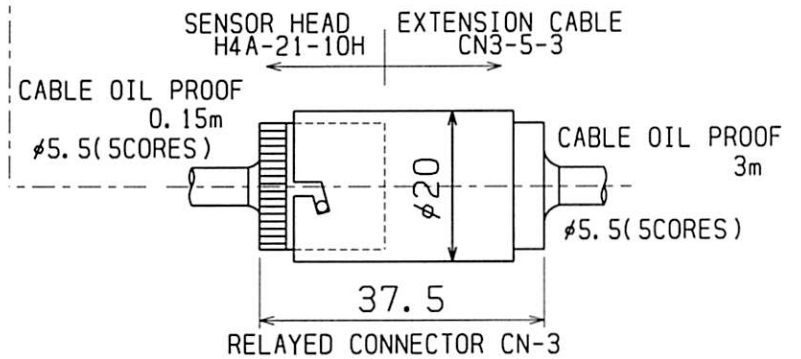


RED PAINTED
(SEEN FROM JOINT SURFACE)
PLEASE JOINT RED PARTS OF EACH CONNECTOR

SET NUMBER H4A-21-10S

COMPOSITION

- SENSOR HEAD H4A-21-10H
- EXTENSION CABLE CN3-5-3



	NAME	TOOL SETTING PROBE
A4	DRAWING NUMBER	H4A-21-10S
1:1		