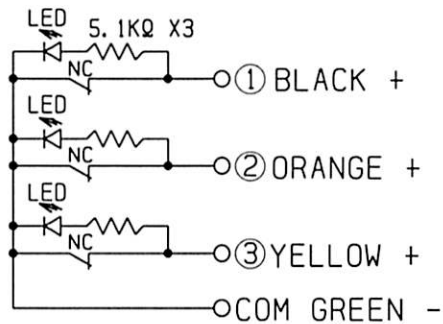
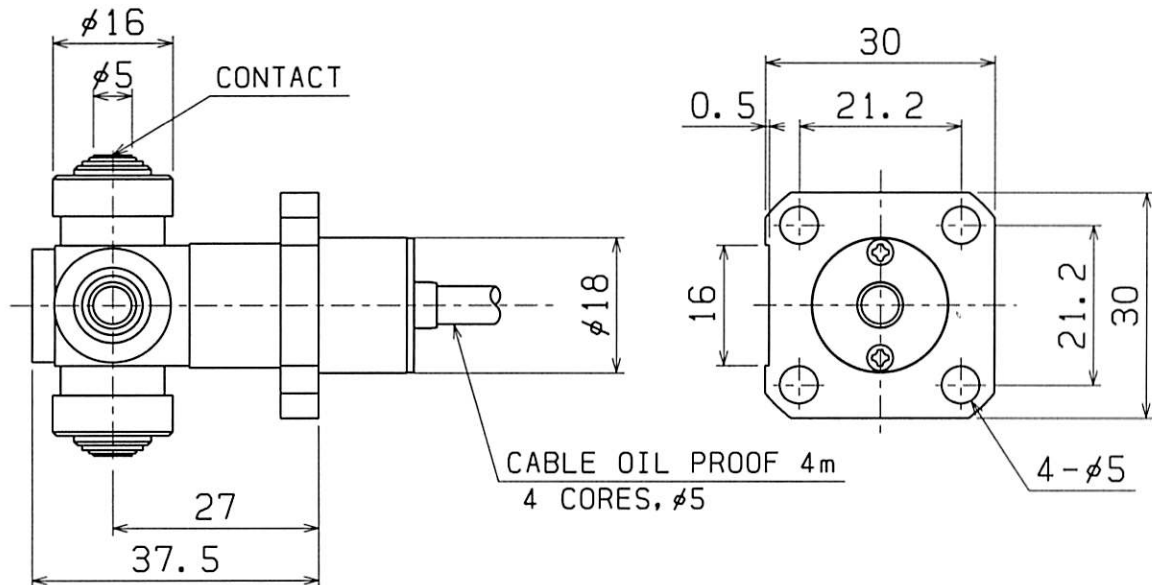
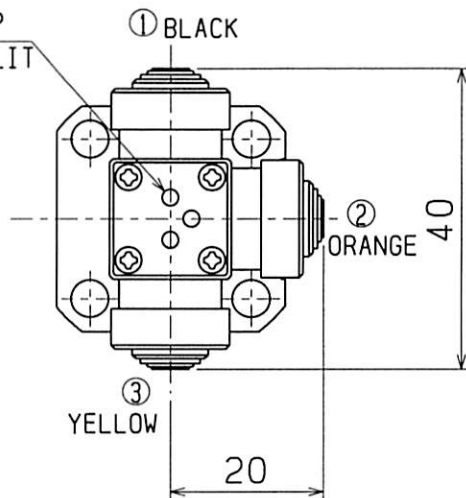


LED LAMP
NORMALLY UNLIT
PUSH LIT



SET NUMBER : H3A-36-03S

COMPOSITION SENSOR HEAD H3A-36-03H
POLARITY CONVERTOR UNIT BA-4A

	NAME	TOOL SETTING PROBE
A4	DRAWING NUMBER	H3A-36-03S
1 : 1		