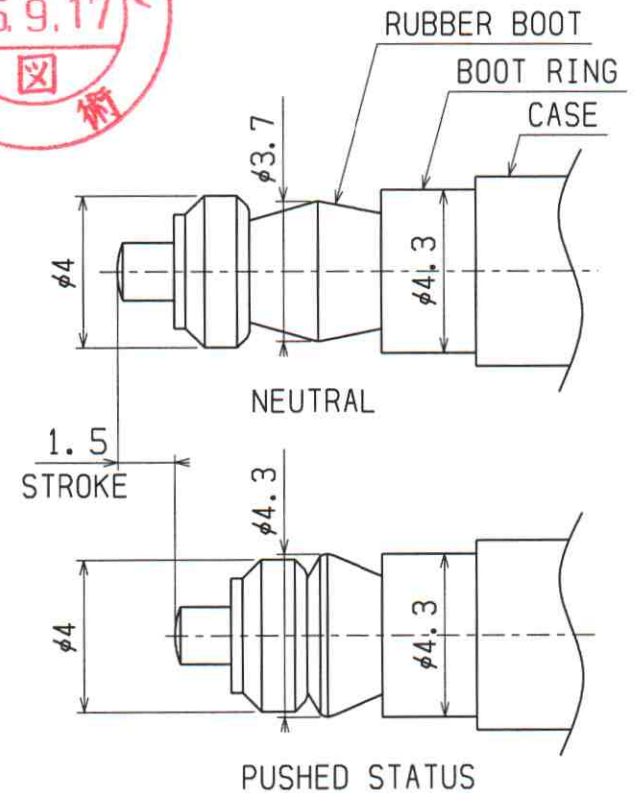
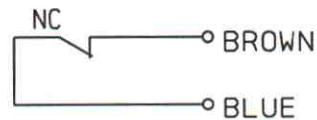
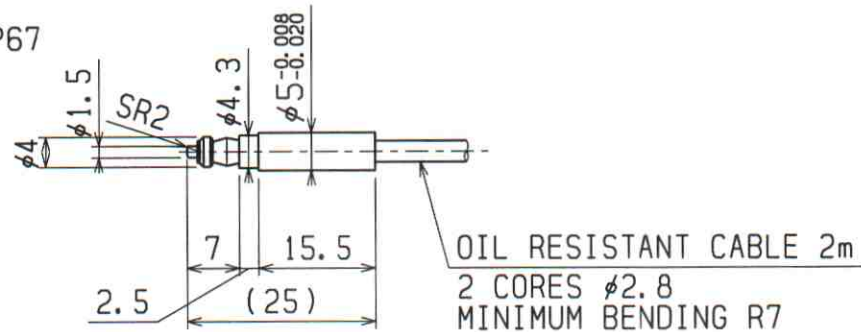


OPERATING MODE : NC(NORMALLY CLOSE)
 REPEATABILITY : 0.001mm
 (OPERATING SPEED 50~200mm/min)
 RATING : DC24V
 (Max. 10mA) STATIONARY CURRENT
 (Max. 20mA) INRUSH CURRENT

BEARING STRUCTURE: METAL BEARING
 (FOR STRAIGHT TOUCH OR WITHIN DEFLECTION ANGLE $\pm 3^\circ$)

CONTACT MATERIAL : SUS HRC45
 CASE MATERIAL : SUS303
 PRETRAVEL : 0
 STROKE : 1.5mm
 CONTACT FORCE : 0.8N

DEGREE OF PROTECTION: IEC IP67



DETAIL OF CONTACT POINT
 SCALED:5/1

CHK	DRA	A4	NAME	PT-TOUCH SWITCH
Kanno	15.09.10 INOUE	1:1	DRAWING NUMBER	PTP5S1CB
			METROL I.D.	METROL