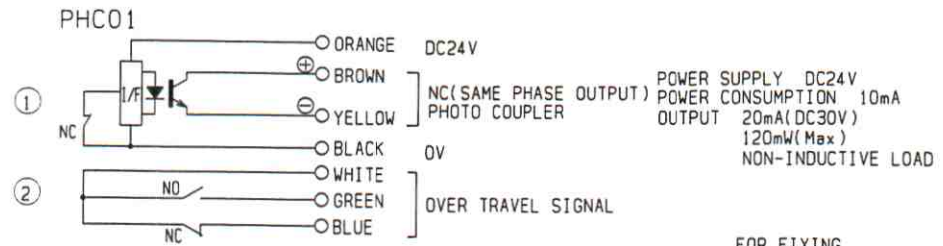
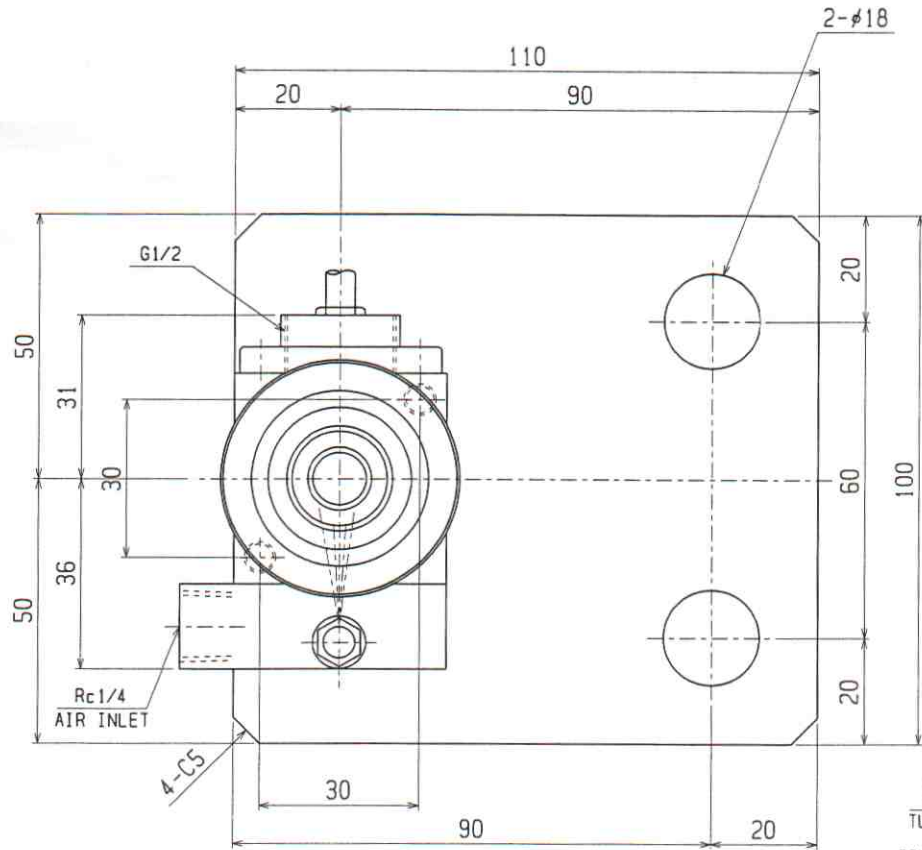


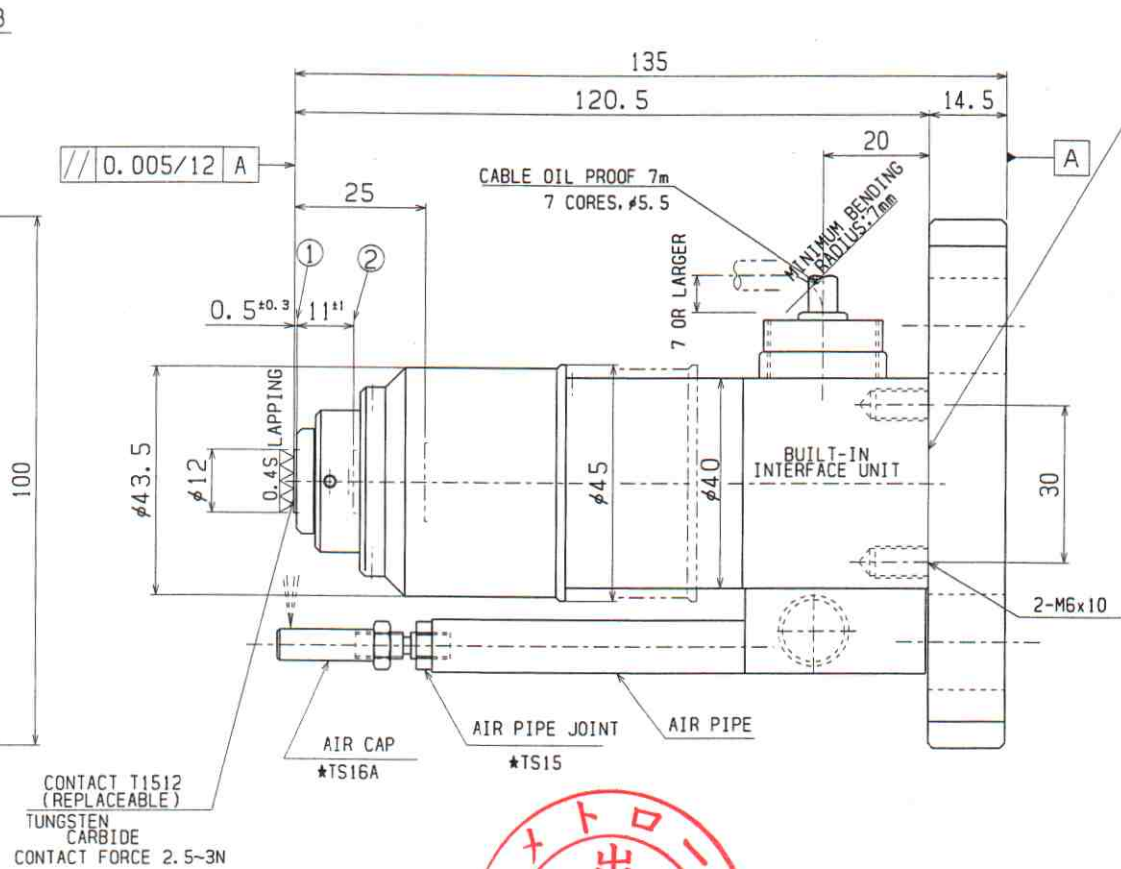
① SKIP SIGNAL
 OPERATION MODE : NORMALLY CLOSED
 REPEATABILITY OF SKIP SIGNAL : 0.001mm
 RECOMMENDED OPERATING SPEED : 50~200mm/min

② OVER TRAVEL SIGNAL
 MICRO SWITCH
 CONTACT RATING:DC24V 100mA
 (NON-INDUCTIVE LOAD)
 OPERATION MODE : NORMALLY OPEN
 OPERATION MODE : NORMALLY CLOSED

DEGREES OF PROTECTION : IEC IP67



FOR FIXING
 REFERENCE SURFACE MUST BE ACCURATE



*ACCESSORY AIR CAP TS16A 1PC
 AIR PIPE JOINT TS15 1PC

A3

APR	CHK	DRA	NAME	TOOL SETTER
			DRAWING NUMBER	T24D-23-05
		REVOS. 12.13		
		MIURA	1/1	METROL

DRA 01.10.15