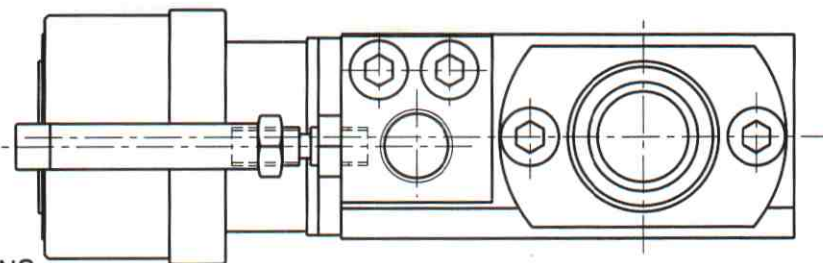


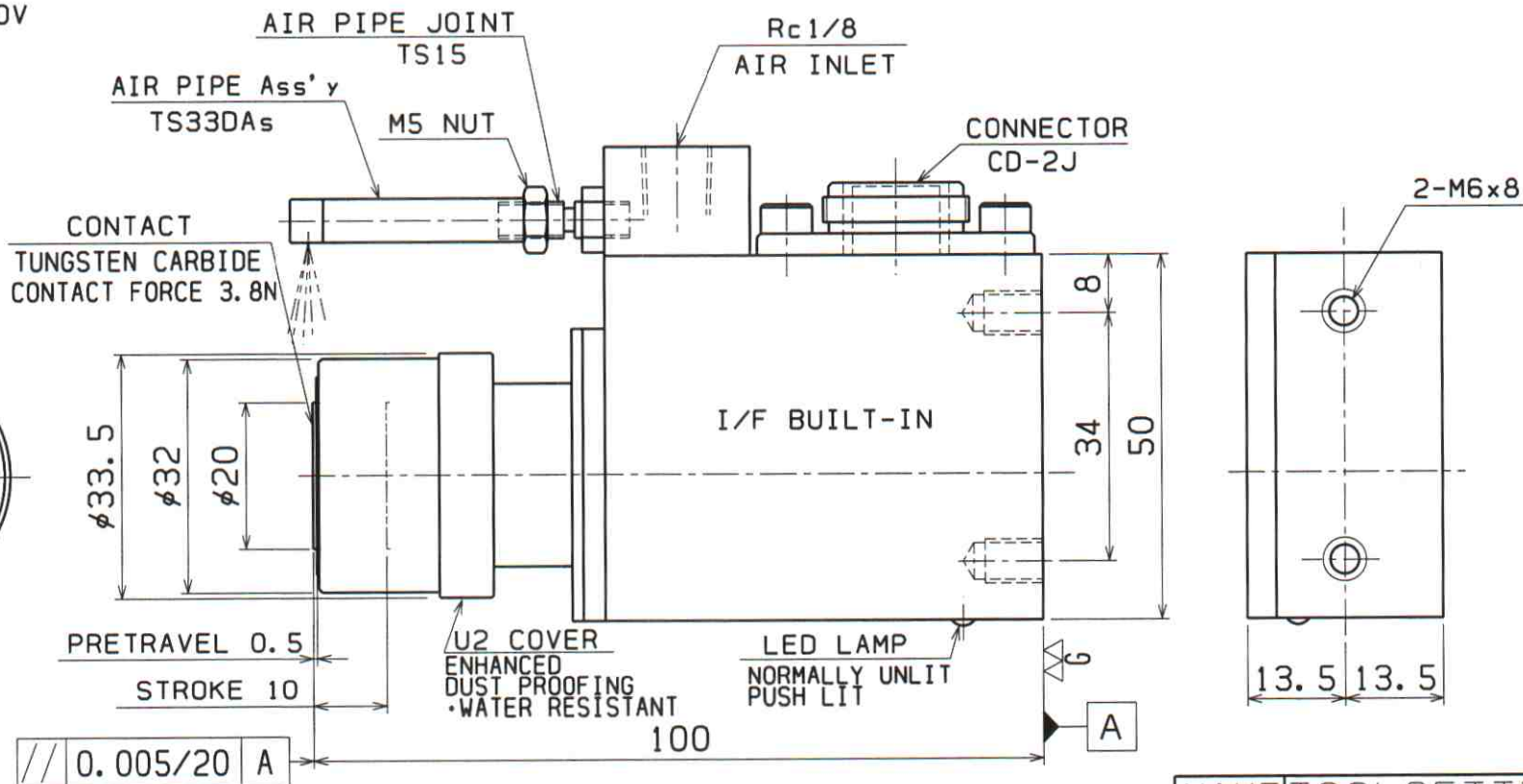
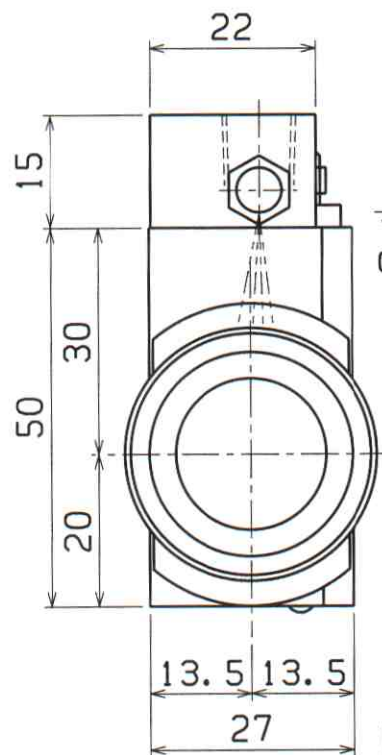
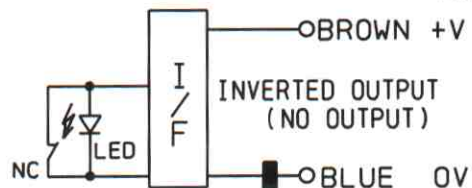
SKIP SIGNAL

REPEATABILITY :0.001mm
 (OPERATING SPEED 50~200mm/min)
 OPERATING MODE:NC(NORMALLY CLOSE)
 OUTPUT MODE :NO(NORMALLY OPEN)
 INVERTED BY BUILT-IN I/F
 DEGREE OF PROTECTION IEC IP67



ELECTRICAL RATING

POWER SUPPLY VOLTAGE DC24V±10% 80mA
 LEAKAGE CURRENT 0.15mA OR LESS
 RESIDUAL VOLTAGE 3V OR LESS
 POWER CONSUMPTION 3mW OR LESS
 POSISTOR BUILT-IN



/// 0.005/20 A

CHK	DRA	A4
<i>Amr</i>	08.09.18 KUZUO	1:1

NAME	TOOL SETTER
DRAWING NUMBER	T1001-02HJ
METROL	