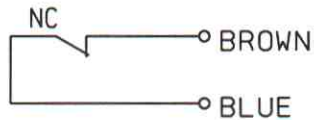
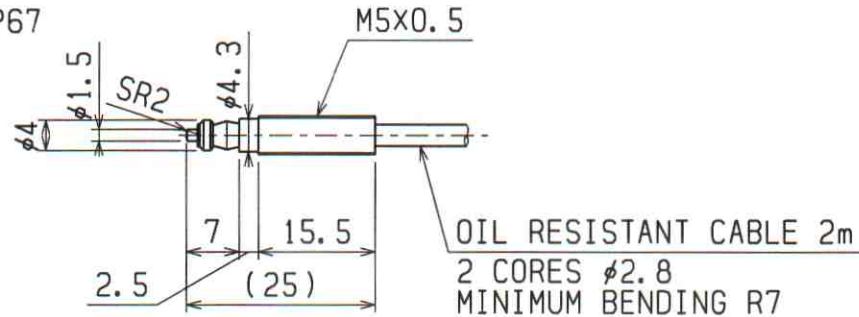


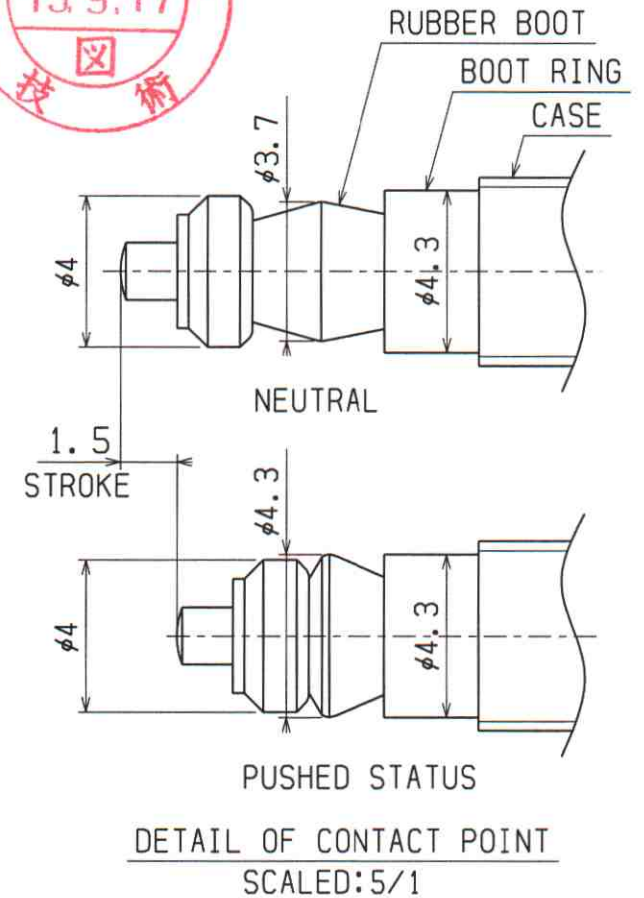
OPERATING MODE : NC(NORMALLY CLOSE)  
 REPEATABILITY : 0.001mm  
 (OPERATING SPEED 50~200mm/min)  
 RATING : DC24V  
 (Max. 10mA) STATIONARY CURRENT  
 (Max. 20mA) INRUSH CURRENT

BEARING STRUCTURE: METAL BEARING  
 (FOR STRAIGHT TOUCH OR WITHIN DEFLECTION ANGLE  $\pm 3^\circ$ )  
 CONTACT MATERIAL : SUS HRC45  
 CASE MATERIAL : SUS303  
 PRETRAVEL : 0  
 STROKE : 1.5mm  
 CONTACT FORCE : 0.8N

DEGREE OF PROTECTION: IEC IP67



ACCESSORY  
 •HEXAGONAL NUT S629 2EA  
 M5x0.5(e:7.7/s:7/m:2.4)



NAME		PT-TOUCH SWITCH	
DRAWING NUMBER		PTP5M1CB	
METROL		METROL	

CHK	DRA	A4
Kanno	INOUE	1:1